



COMMANDO PRO

ULTRA HIGH EFFICACY HIGH BAYS



Commando Pro high bays deliver outstanding ultra high efficacy of 190lm/W. Designed for projects where energy efficiency is paramount, Commando Pro also features selectable wattage for convenience and a dimmable 0-10V driver. For advanced control, a plug in microwave presence detector is fast and easy to deploy, with simple remote control set up. The fitting is available in 4000K and 6500K, with refractor and reflector accessories as well as a high output, self test emergency kit option.

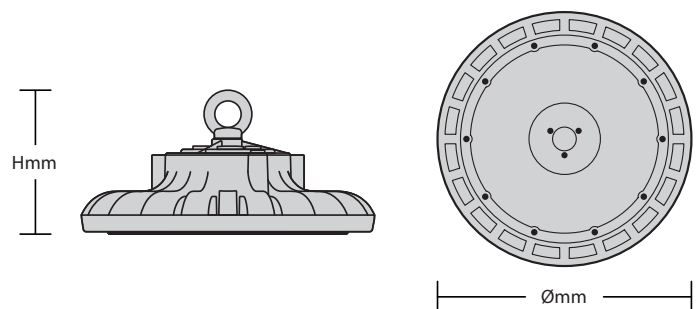
Features

- Ultra high efficacy 190lm/W as standard
- Wattage selectable for versatile control
- Quick and simple plug in microwave movement detectors, with remote control set up
- 110 degree beam angle as standard – optional 90 degree lens
- Full range of refractor and reflector accessories
- High output self test emergency kit option

Specification

Material:	Body: Aluminium Lens: Polycarbonate
Colour Temperature:	4000K & 6500K
Colour Finish:	Black
CRI:	Ra>70
LED Lifetime:	L70B50 > 50,000 Hours
IP Rating:	IP65
IK Rating:	IK08
Working Temperature:	-40°C to 50°C
Power Factor:	0.95
Electrical Class:	Class I
Guarantee:	5 Years

Dimensions



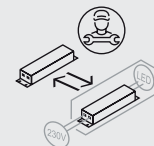
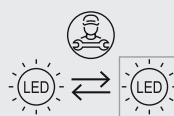
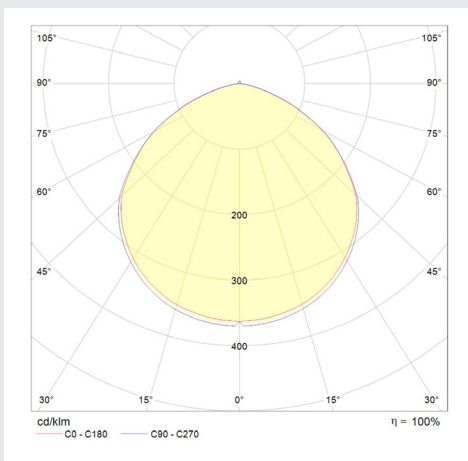
Product Code	Dimensions
COMPRO200-40	Ø: 316 x D: 134mm
COMPRO200-65	Ø: 316 x D: 134mm

Product Code	Description	Wattage	Colour Temperature	Lumen Output	Efficacy	Net Weight (kg)	Barcodes
COMPRO200-40	Commando Pro High Bay 120-200W	120W 150W 200W	4000K	22800 lm 28500 lm 38000 lm	190 lm/W	2.85	5055807625081
COMPRO200-65	Commando Pro High Bay 120-200W	120W 150W 200W	6500K	22800 lm 28500 lm 38000 lm	190 lm/W	2.85	5055807625098
COM200/LENS90	COMPRO200 Retrofit Lens 90° Beam	-	-	-	-	0.21	5055807625203
COM/PR200	COMPRO200 Polycarbonate Refractor	-	-	-	-	0.8	5055807625135
COM/PL200	COMPRO200 Polycarbonate Refractor Lens	-	-	-	-	0.65	5055807625142
COM/AL200	COMPRO200 Aluminium Reflector	-	-	-	-	0.35	5055807625166
COM/MB	Commando Mounting U Bracket	-	-	-	-	0.39	5055807625173
COM/MWS	Commando Plug-In Microwave Sensor	-	-	-	-	0.03	5055807625180
COM/RC	Commando Hand Held Remote Control	-	-	-	-	0.08	5055807625197
TITAN/COMKIT20/ST	Titan Commando Emergency Kit IP65 Self Test	20W	-	-	-	1.42	5055807625241

Maximum Fittings Per Circuit

Automatic Circuit Breaker Type:	B6	B10	B13	B16	B20	C10	C13	C16	C20
Rated Current:	6A	10A	13A	16A	20A	10A	13A	16A	20A
Cable (mm):	1.5	1.5	1.5	2.5	2.5	1.5	1.5	2.5	2.5
COMPRO200-40/65	3	5	6	8	10	8	10	13	16

Light Distribution Curve



www.redarrowelectrical.co.uk